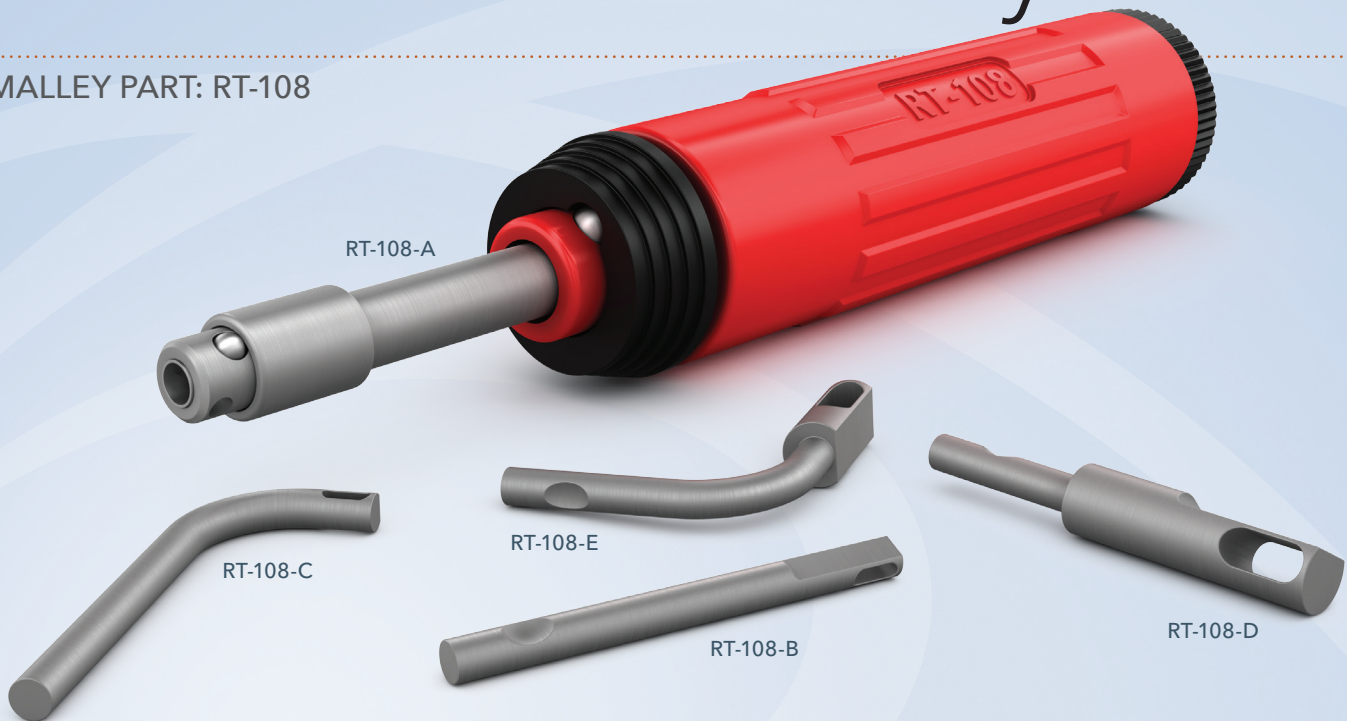


Spirolox® Retaining Ring Removal Made Easy

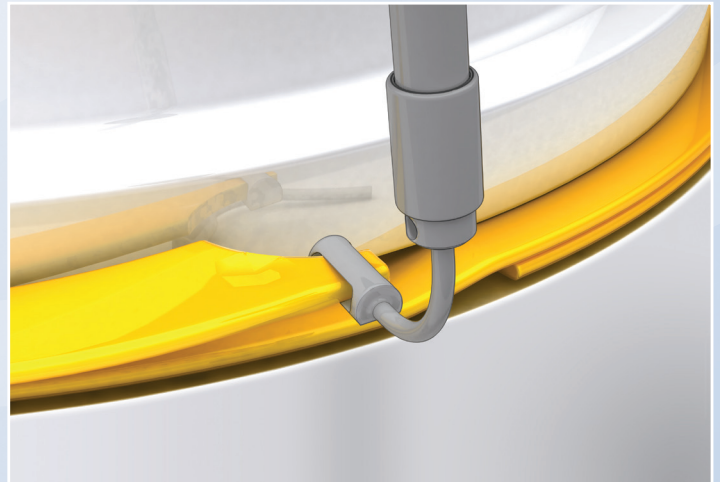
SMALLEY PART: RT-108



Smalley has developed a tool exclusively designed to remove multiple-turn rings. This new Spirolox Retaining Ring Removal Tool fits precisely between the ring layers to access the removal notch.

When slipped in place, the tool completely surrounds and encapsulates the removal notch. This effectively eliminates slipping as you pull the ring's free end out radially and up for removal.

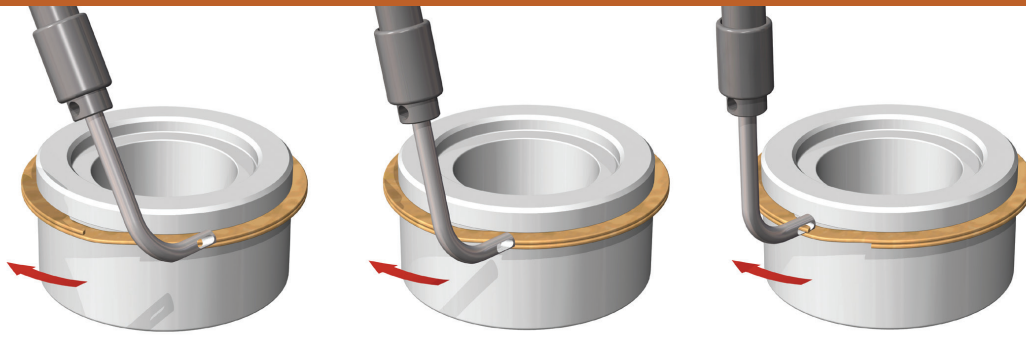
The tool simplifies field disassembly and is available with four standard ends: small straight, small-90° bend, large-straight, and large-90° bend.



SMALLEY

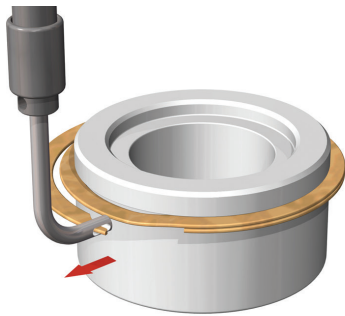
THE ENGINEER'S CHOICE™

THREE STEP PROCESS



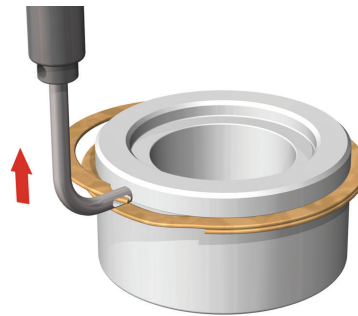
STEP 1: Positioning Tool Over Ring

Insert the removal tool using the "scooping" method illustrated above. Angle the tool, rotate and then slide the tool's eyelet end over the end of the ring (removal notch.)



STEP 2: Lifting out of groove

Pull the handle radially to remove retaining ring end from the groove.



STEP 3: Extracting

Lift the end axially to continue unwinding the ring. Carefully remove the ring to prevent the thin web on the tool from breaking.

NOTE: The tool's eyelet notch design incorporates a thin web to allow the tool to slip between adjacent turns of a Spirolox Ring. Care should be taken during removal, as the web is extremely brittle, and can easily crack from excessive twist and/or shock.

PRICING



RT-108-A

COMPLETE TOOL: RT-108

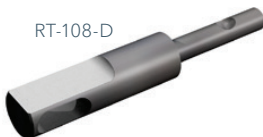
Includes handle and all 4 tips **\$95.00**



RT-108-B



RT-108-C



RT-108-D



RT-108-E

INDIVIDUAL PARTS:

RT-108-A	Handle Only	\$15.00
RT-108-B	Small Straight Tip	\$25.00
RT-108-C	Small 90° Tip	\$25.00
RT-108-D	Large Straight Tip	\$25.00
RT-108-E	Large 90° Tip	\$25.00



SMALLEY

555 Oakwood Road, Lake Zurich, IL 60047

Phone: (847) 719-5900 | Fax: (847) 719-5999 | info@smalley.com